

## Jacket cooled submersible drainage pump for clear water.

### C80 W

#### Application

Pump for pumping clean water. For low level suction down to a residual water level of approx. 2 mm. Emergency pump for flooding. Circulation pump for garden ponds. A cooling jacket with discharge connector at the top ensures sufficient motor cooling at low water level (sip operation).

**Installation:** Permanent or transportable.

**Pumped liquid:** Clear water containing soft solids with a diameter of max. 1 mm. Max. liquid temperature: 35°C.

**Operation:** Permanent (S1).

#### Design

Fully submersible pump consisting of:

**Pump:** Single stage centrifugal pump with vertical discharge BSP 3/4" M.

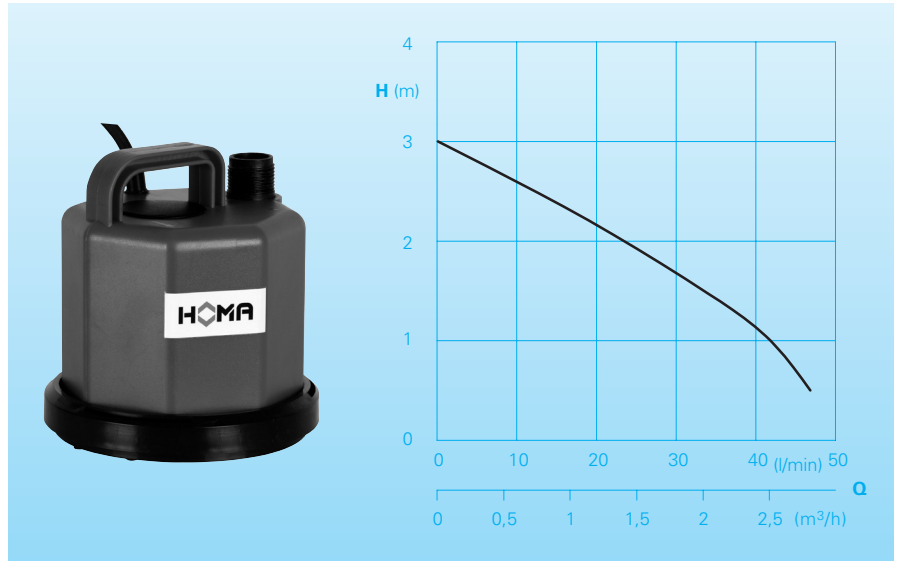
**Impeller:** Open multi-channel impeller, spherical clearance 1 mm.

**Motor:** Canned wet-rotor, seal-less, rotor shaft lubricated by pumped liquid. Insulation class B. Motor protection IP 68.

**Shaft/Bearing:** stainless steel-ceramic shaft, slide bearing.

**Cable:** H05RN-F3G0,75

#### Performance



#### Technical Data

| Pump type | Motor                  |                        | Voltage<br>50 Hz<br>(V) | Nominal<br>current<br>(A) | Cable<br>length<br>(m) | Weight<br>(kg) |
|-----------|------------------------|------------------------|-------------------------|---------------------------|------------------------|----------------|
|           | P <sub>1</sub><br>(kW) | P <sub>2</sub><br>(kW) |                         |                           |                        |                |
| C80 W     | 0,08                   | 0,04                   | 230/1Ph                 | 1,2                       | 10 m                   | 2,5            |

**Speed:** 2800 rpm

**Discharge:** BSP ¾ M

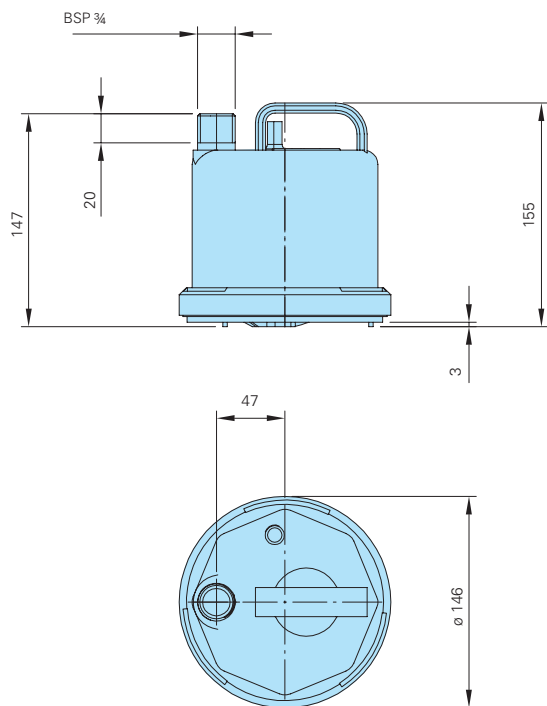
#### Materials

|              |                          |
|--------------|--------------------------|
| Pump housing | Impact-resistant plastic |
| Impeller     | Impact-resistant plastic |

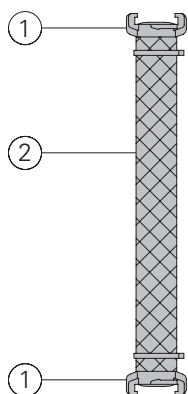
#### Equipment supplied

Pump with 10 m of cable and plug.

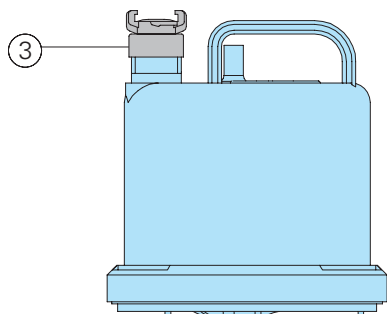
**Dimensions** (all dimensions in mm)



**Accessories**



| Part Description       | Dimension  | Part. No. |
|------------------------|------------|-----------|
| ① Brass hose coupling  | 1"         | 2003313   |
| ② PVC hose, per m      | 1" Ø 25 mm | 2621000   |
| Reinforced hose, per m | 1" Ø 25 mm | 2632025   |
| Hose band              | 3/4" - 1"  | 2302330   |
| ③ Brass fixed coupling | BSP 3/4" F | 2005322   |



HOMA Pumpenfabrik GmbH  
 P.O.Box 22 63, D-53814 Neunk.-Seelscheid  
 Tel. +49 (0) 22 47/702-0, Fax +49 (0) 22 47/702-44  
 e-mail: info@homa-pumpen.de  
 www.homapumps.com